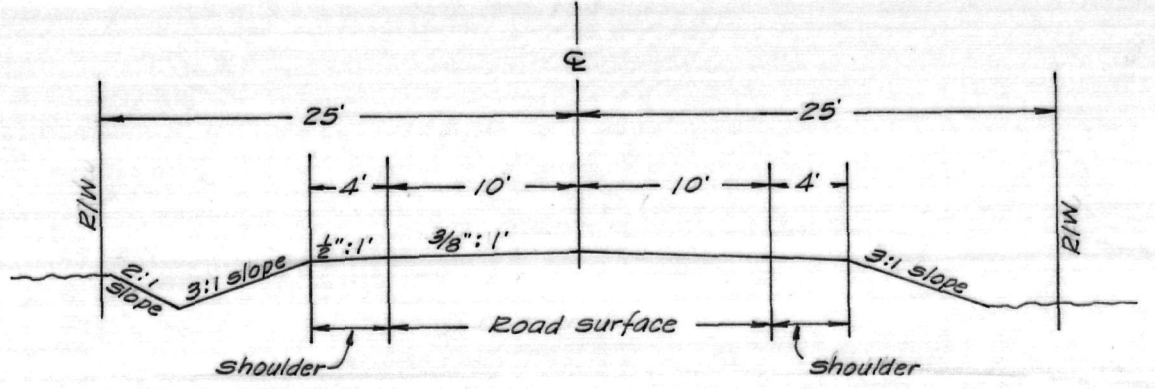
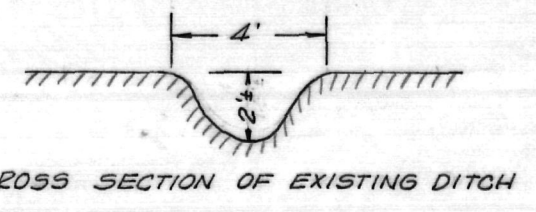
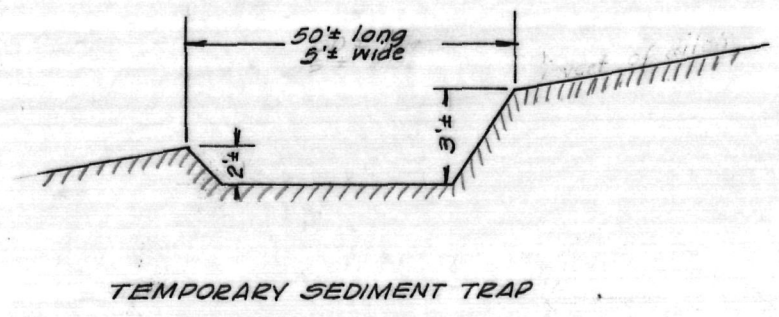
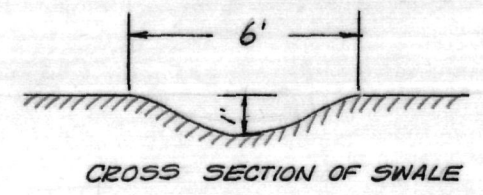
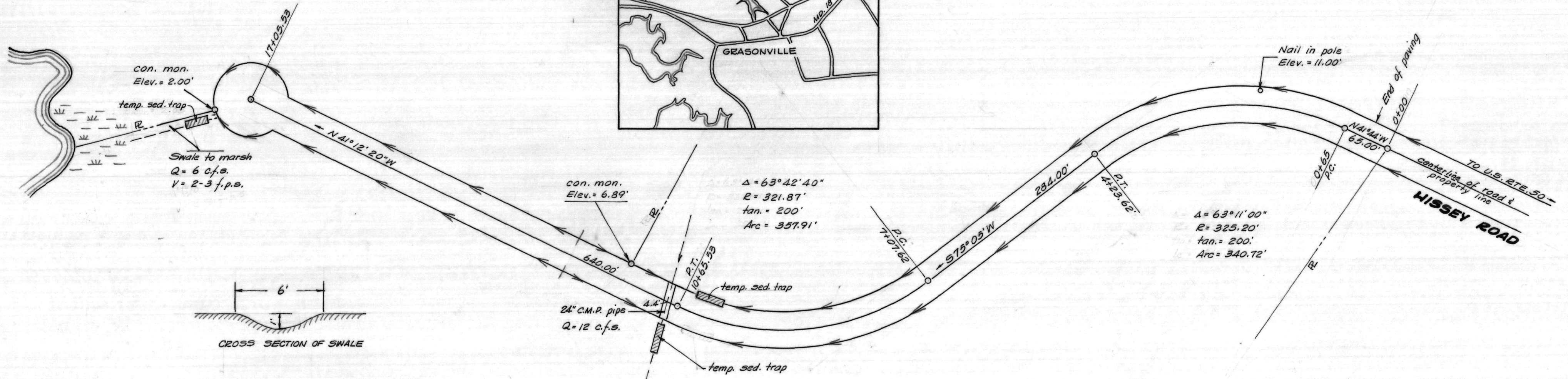
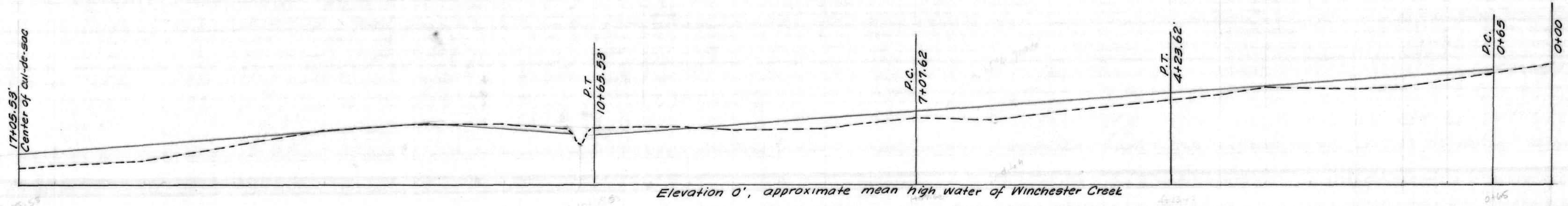


WINCHESTER CREEK



Note: Seeding & mulching (stabilization), temporary & permanent, to be done according to pages 3.003, 3.100-3.104 in "Standards & Specifications for Soil Erosion & Sediment Control in Urbanizing Areas."

Swale at end of cul-de-sac to be graded & seeded prior to road construction. Sediment traps to be constructed as road is cut. Road slopes & ditches to be seeded as road is graded.



Note: These are not road construction plans but are to be used for general surface drainage & sediment control.

ROAD DESIGN & SEDIMENT CONTROL
HISSEY FARM ASSOCIATES LANDS
 5TH DISTRICT, QUEEN ANNES CO., MD.
 Scale Horiz 1" = 100' Vert. 1" = 10' Feb. 1973.
 William R. Nuttle, Reg. Surveyor
 Chestertown, Md.